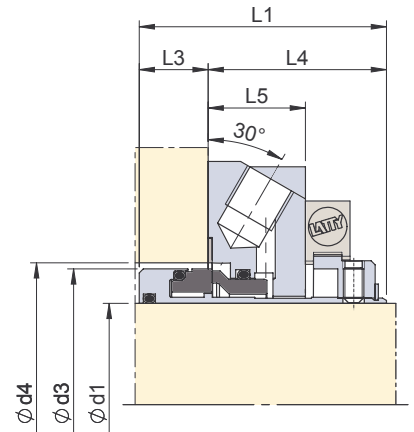
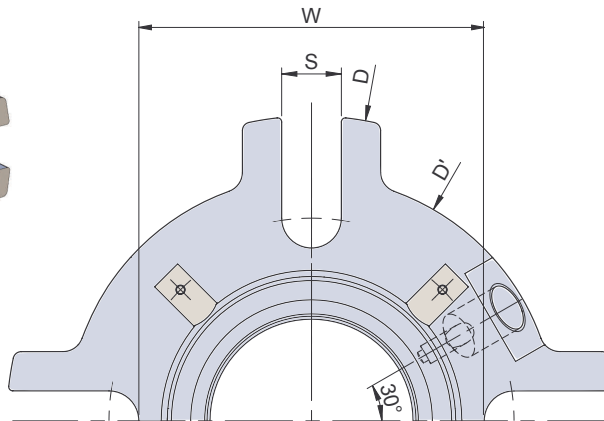
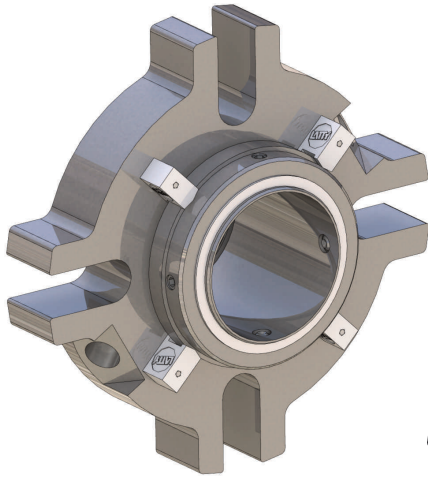




# CARTseal B 24610 PP

**CONDITIONS DE FONCTIONNEMENT (Paramètres non associés)**  
**OPERATING CONDITIONS (Not associated parameters)**

**T°** : de -20°C à 220°C  
**P** : < 2.5 Mpa (25 bar)  
**V** : < 20 m/s



## VERSION MÉTRIQUE

| d1 h6 nominal | d3  | d4 mini | d4 maxi | L1 | L3 | L4 | L5 | D   | D'  | S    | W   |
|---------------|-----|---------|---------|----|----|----|----|-----|-----|------|-----|
| 25            | 40  | 41      | 51      | 61 | 17 | 44 | 24 | 105 | 95  | 12.5 | 58  |
| 28            | 43  | 44      | 52      | 61 | 17 | 44 | 24 | 105 | 99  | 12.5 | 59  |
| 30            | 45  | 46      | 56      | 61 | 17 | 44 | 24 | 105 | 99  | 12.5 | 63  |
| 32            | 47  | 48      | 57      | 61 | 17 | 44 | 24 | 110 | 101 | 12.5 | 64  |
| 33            | 48  | 49      | 57      | 61 | 17 | 44 | 24 | 110 | 101 | 12.5 | 64  |
| 35            | 50  | 51      | 61      | 61 | 17 | 44 | 24 | 115 | 102 | 12.5 | 68  |
| 38            | 55  | 58      | 66      | 61 | 17 | 44 | 24 | 125 | 108 | 12.5 | 73  |
| 40            | 57  | 60      | 68      | 61 | 17 | 44 | 24 | 125 | 110 | 14.7 | 75  |
| 43            | 60  | 63      | 70      | 61 | 17 | 44 | 24 | 133 | 113 | 14.7 | 77  |
| 45            | 62  | 65      | 73      | 61 | 17 | 44 | 24 | 141 | 115 | 14.7 | 80  |
| 48            | 65  | 68      | 75      | 61 | 17 | 44 | 24 | 141 | 118 | 14.7 | 82  |
| 50            | 67  | 70      | 78      | 61 | 17 | 44 | 24 | 150 | 120 | 14.7 | 85  |
| 53            | 70  | 73      | 81      | 61 | 17 | 44 | 24 | 150 | 123 | 14.7 | 88  |
| 55            | 72  | 75      | 83      | 61 | 17 | 44 | 24 | 150 | 125 | 18   | 90  |
| 60            | 80  | 85      | 91      | 61 | 17 | 44 | 24 | 157 | 134 | 18   | 98  |
| 65            | 85  | 90      | 98      | 61 | 17 | 44 | 24 | 165 | 137 | 18   | 105 |
| 70            | 90  | 95      | 108     | 61 | 17 | 44 | 24 | 180 | 142 | 18   | 115 |
| 75            | 100 | 104     | 118     | 73 | 20 | 53 | 29 | 190 | 162 | 18   | 129 |
| 80            | 105 | 109     | 124     | 73 | 20 | 53 | 29 | 195 | 167 | 18   | 135 |
| 85            | 110 | 114     | 128     | 73 | 20 | 53 | 29 | 200 | 172 | 20   | 137 |
| 90            | 115 | 119     | 135     | 73 | 20 | 53 | 29 | 205 | 177 | 20   | 146 |
| 95            | 120 | 124     | 138     | 73 | 20 | 53 | 29 | 210 | 182 | 20   | 149 |
| 100           | 126 | 129     | 144     | 73 | 20 | 53 | 29 | 215 | 187 | 20   | 155 |

LATTY International – 900015771 (08/2018)



### Site de production

1, rue Xavier Latty – 28160 BROU – FRANCE / Tél. +33 (0)2 37 44 77 77 / customerservice@latty.com

Les indications portées sur cette documentation ne le sont qu'à titre indicatif et ne sauraient engager la responsabilité de LATTY International S.A.  
*The information given in this document is for guidance only and does not commit LATTY International S.A. in any way*



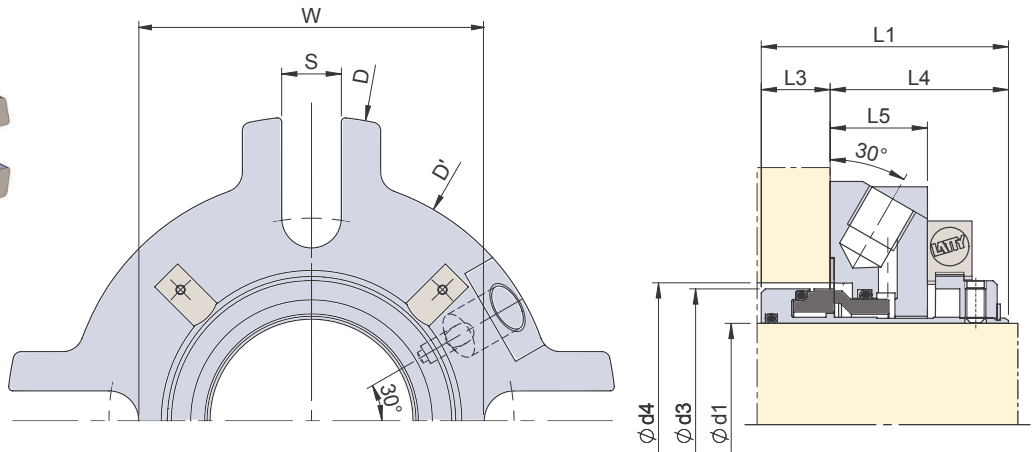
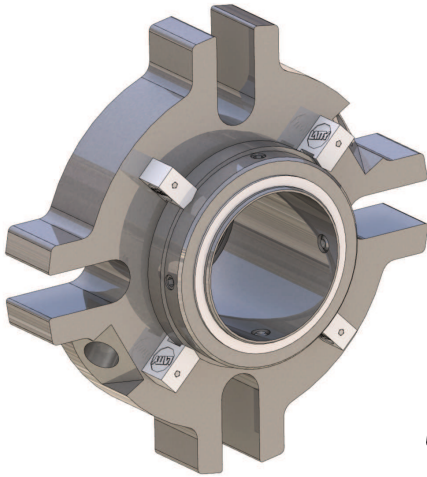
# CARTseal B 24610 PP

**CONDITIONS DE FONCTIONNEMENT (Paramètres non associés)**  
**OPERATING CONDITIONS (Not associated parameters)**

**T°** : de -4°F à 428°F

**P** : < 2.5 Mpa (362.5 PSI)

**V** : < 20 m/s



## VERSION POUCE

| d1 h6<br>nominal in inch | d3    | d4 mini | d4 maxi | L1    | L3    | L4    | L5    | D     | D'    | S     | W     |       |
|--------------------------|-------|---------|---------|-------|-------|-------|-------|-------|-------|-------|-------|-------|
| 1"                       | 1     | 1.575   | 1.614   | 2.008 | 2.402 | 0.669 | 1.732 | 0.945 | 4.134 | 3.740 | 0.492 | 2.283 |
| 1"1/8                    | 1.125 | 1.772   | 1.811   | 2.205 | 2.402 | 0.669 | 1.732 | 0.945 | 4.134 | 3.898 | 0.492 | 2.480 |
| 1"1/4                    | 1.25  | 1.850   | 1.890   | 2.244 | 2.402 | 0.669 | 1.732 | 0.945 | 4.331 | 3.976 | 0.492 | 2.520 |
| 1"3/8                    | 1.375 | 1.969   | 2.008   | 2.402 | 2.402 | 0.669 | 1.732 | 0.945 | 4.528 | 4.016 | 0.492 | 2.677 |
| 1"1/2                    | 1.5   | 2.165   | 2.283   | 2.598 | 2.402 | 0.669 | 1.732 | 0.945 | 4.921 | 4.252 | 0.492 | 2.874 |
| 1"5/8                    | 1.625 | 2.362   | 2.480   | 2.756 | 2.402 | 0.669 | 1.732 | 0.945 | 5.236 | 4.449 | 0.579 | 3.031 |
| 1"3/4                    | 1.75  | 2.441   | 2.559   | 2.874 | 2.402 | 0.669 | 1.732 | 0.945 | 5.551 | 4.528 | 0.579 | 3.150 |
| 1"7/8                    | 1.875 | 2.559   | 2.677   | 2.953 | 2.402 | 0.669 | 1.732 | 0.945 | 5.551 | 4.646 | 0.579 | 3.228 |
| 2"                       | 2     | 2.756   | 2.874   | 3.189 | 2.402 | 0.669 | 1.732 | 0.945 | 5.906 | 4.843 | 0.579 | 3.465 |
| 2"1/8                    | 2.125 | 2.835   | 2.953   | 3.268 | 2.402 | 0.669 | 1.732 | 0.945 | 5.906 | 4.921 | 0.709 | 3.543 |
| 2"1/4                    | 2.25  | 3.071   | 3.268   | 3.543 | 2.402 | 0.669 | 1.732 | 0.945 | 6.181 | 5.197 | 0.709 | 3.819 |
| 2"3/8                    | 2.375 | 3.150   | 3.346   | 3.583 | 2.402 | 0.669 | 1.732 | 0.945 | 6.181 | 5.276 | 0.709 | 3.858 |
| 2"1/2                    | 2.5   | 3.346   | 3.543   | 3.858 | 2.402 | 0.669 | 1.732 | 0.945 | 6.496 | 5.394 | 0.709 | 4.134 |
| 2"5/8                    | 2.625 | 3.465   | 3.661   | 3.937 | 2.402 | 0.669 | 1.732 | 0.945 | 6.496 | 5.512 | 0.709 | 4.213 |
| 2"3/4                    | 2.75  | 3.543   | 3.740   | 4.252 | 2.402 | 0.669 | 1.732 | 0.945 | 7.087 | 5.591 | 0.709 | 4.528 |
| 2"7/8                    | 2.875 | 3.937   | 4.094   | 4.646 | 2.874 | 0.787 | 2.087 | 1.142 | 7.480 | 6.378 | 0.709 | 5.079 |
| 3"                       | 3     | 3.937   | 4.094   | 4.646 | 2.874 | 0.787 | 2.087 | 1.142 | 7.480 | 6.378 | 0.709 | 5.079 |
| 3"1/8                    | 3.125 | 4.134   | 4.291   | 4.882 | 2.874 | 0.787 | 2.087 | 1.142 | 7.677 | 6.575 | 0.709 | 5.315 |
| 3"1/4                    | 3.25  | 4.331   | 4.488   | 5.039 | 2.874 | 0.787 | 2.087 | 1.142 | 7.874 | 6.772 | 0.787 | 5.394 |
| 3"3/8                    | 3.275 | 4.331   | 4.488   | 5.039 | 2.874 | 0.787 | 2.087 | 1.142 | 7.874 | 6.772 | 0.787 | 5.394 |
| 3"1/2                    | 3.5   | 4.528   | 4.685   | 5.315 | 2.874 | 0.787 | 2.087 | 1.142 | 8.071 | 6.969 | 0.787 | 5.748 |
| 3"5/8                    | 3.625 | 4.724   | 4.882   | 5.433 | 2.874 | 0.787 | 2.087 | 1.142 | 8.268 | 7.165 | 0.787 | 5.866 |
| 3"3/4                    | 3.75  | 4.724   | 4.882   | 5.433 | 2.874 | 0.787 | 2.087 | 1.142 | 8.268 | 7.165 | 0.787 | 5.866 |
| 4"                       | 4     | 4.961   | 5.079   | 5.669 | 2.874 | 0.787 | 2.087 | 1.142 | 8.465 | 7.362 | 0.787 | 6.102 |

LATTY International – 900015771 (08/2018)



### Site de production

1, rue Xavier Latty – 28160 BROU – FRANCE / Tél. +33 (0)2 37 44 77 77 / customerservice@latty.com

Les indications portées sur cette documentation ne le sont qu'à titre indicatif et ne sauraient engager la responsabilité de LATTY International S.A.  
 The information given in this document is for guidance only and does not commit LATTY International S.A. in any way